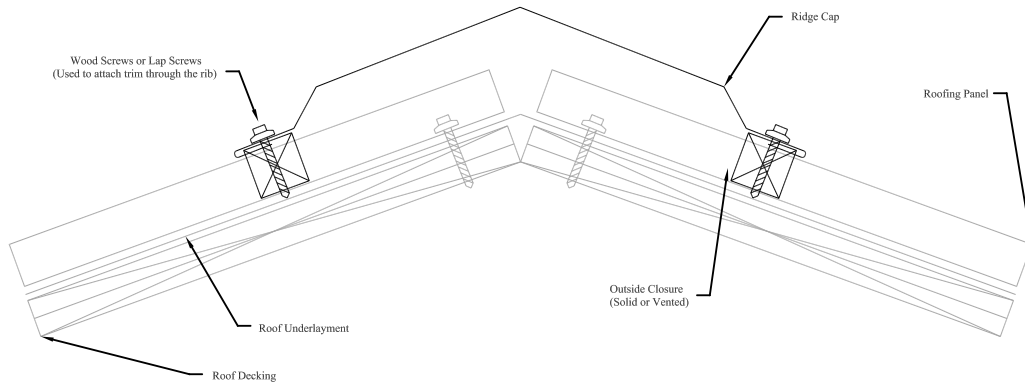
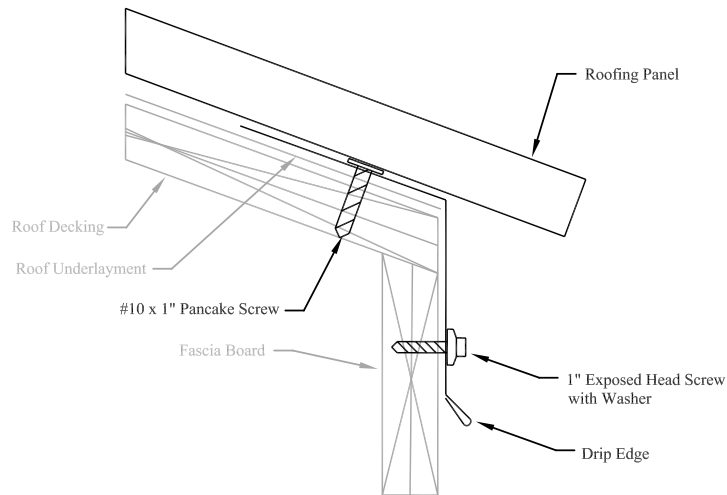


**RIDGE CAP ILLUSTRATION**



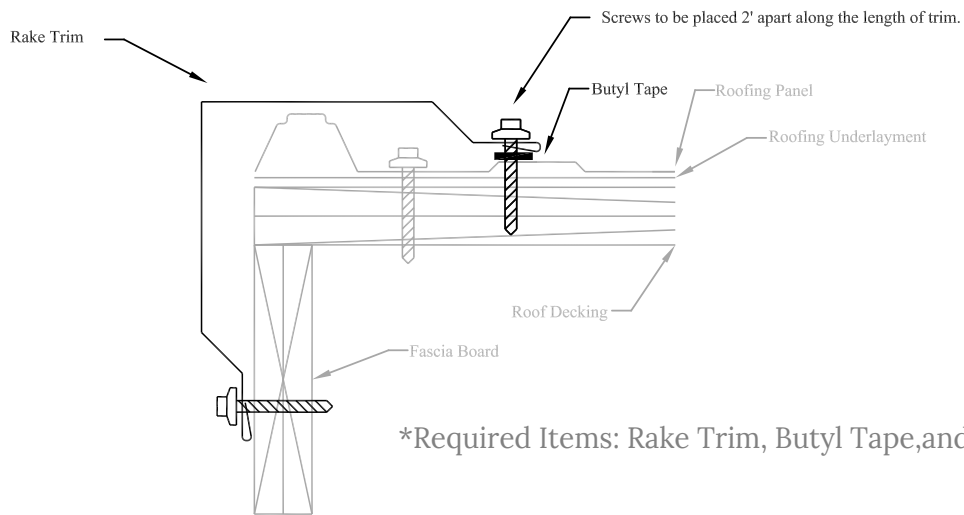
\*Required Items: Ridge Cap, Outer Closure, Screws.

**DRIP EDGE INSTALLATION ILLUSTRATION**

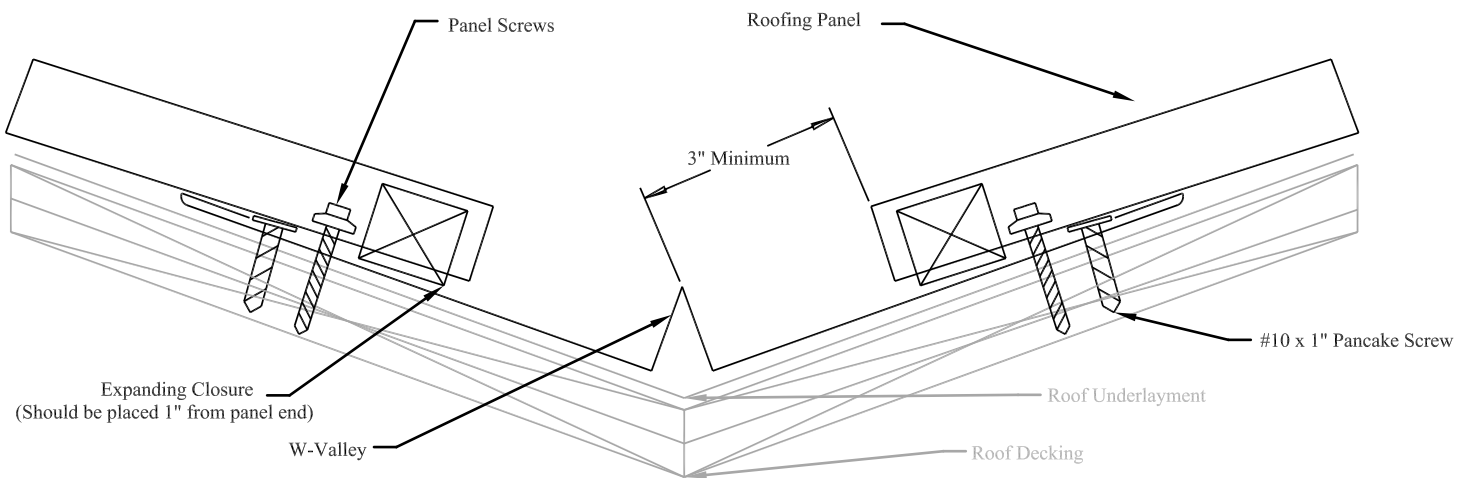


\*Required Items: Drip Edge, Pancake Screws and Exposed Head Screws.

### RAKE TRIM ILLUSTRATION

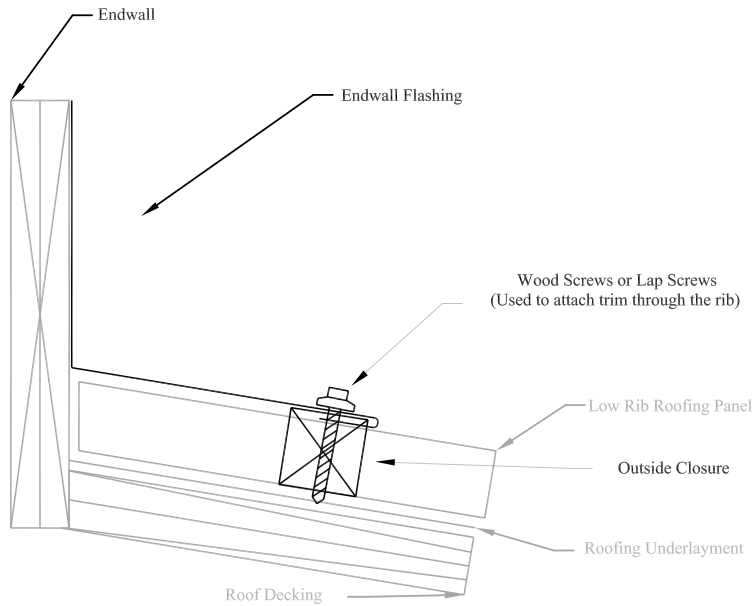


### VALLEY INSTALLATION ILLUSTRATION



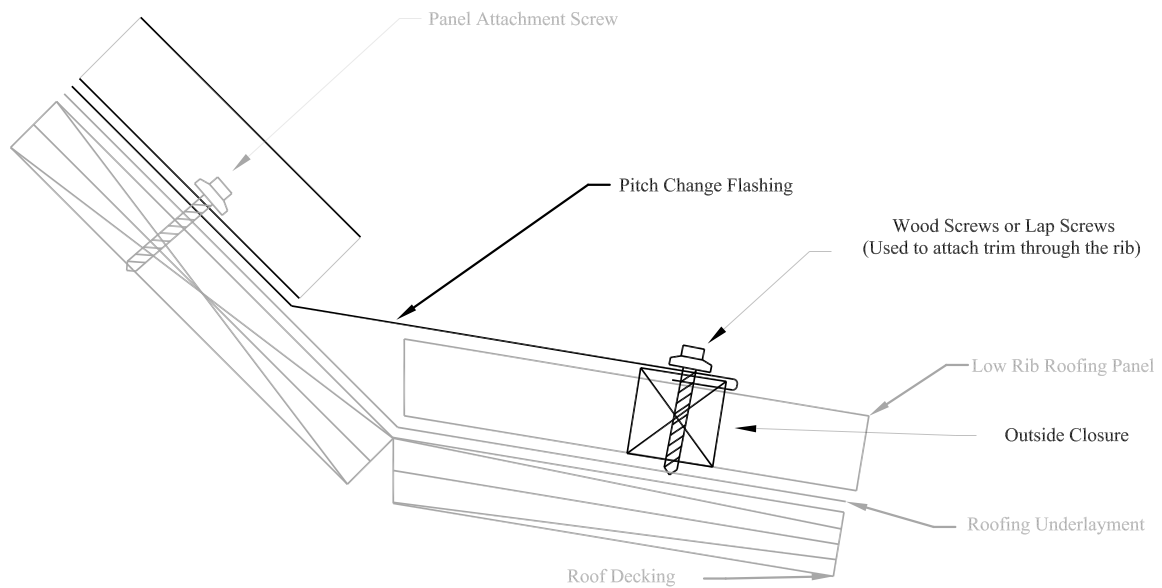
\*Required Items: Valley, Expanding Closure, Panel Screws and Pancake Screws

**ENDWALL INSTALLATION ILLUSTRATION**



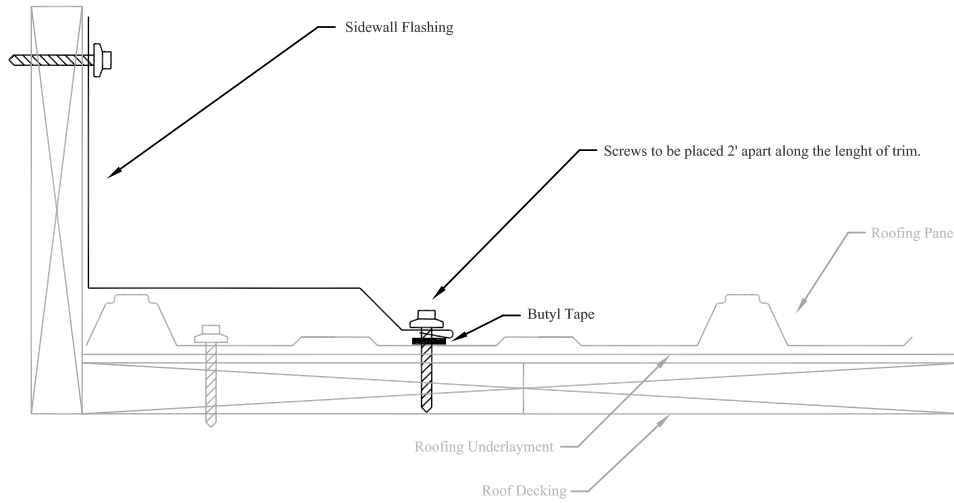
\*Required Items: Endwall Trim, Screws and Outside Closure.

**PITCH CHANGE INSTALLATION ILLUSTRATION**



\*Required Items: Pitch Change Flashing, Screws and Outside Closure.

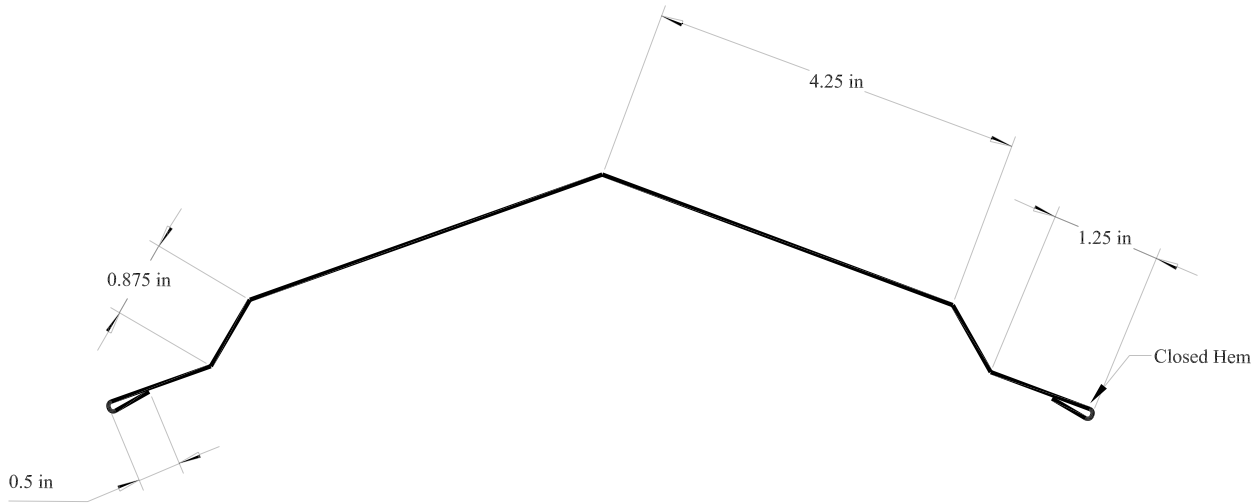
**SIDEWALL INSTALLATION ILLUSTRATION**



\*Required Items: Sidewall Trim, Butyl Tape, and Screws

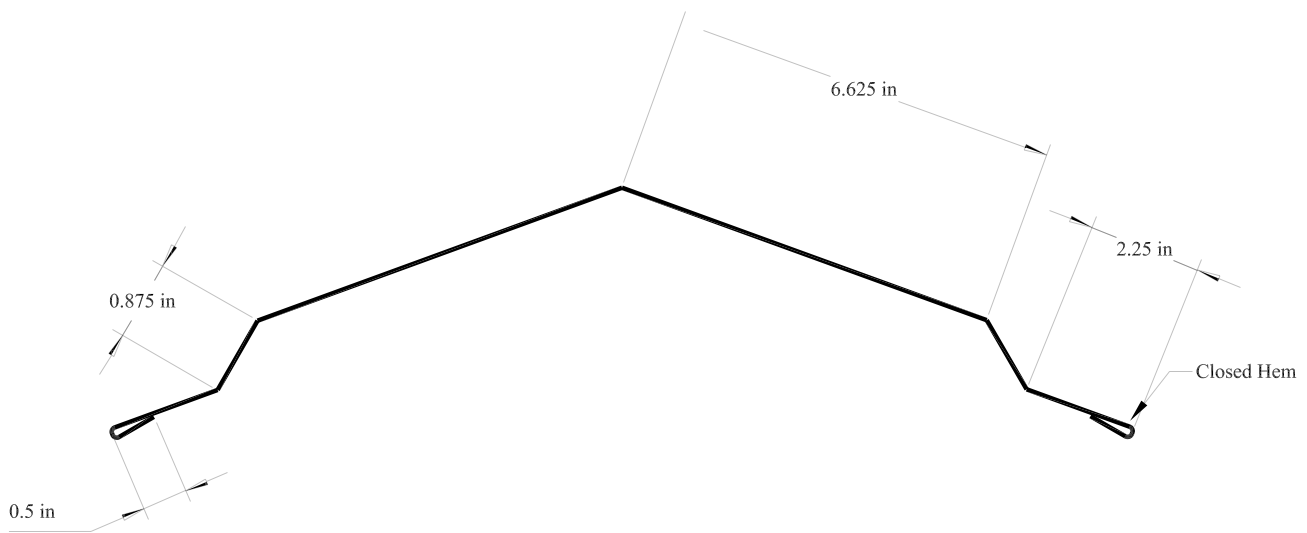
**RIDGE CAP**

\*Not to scale



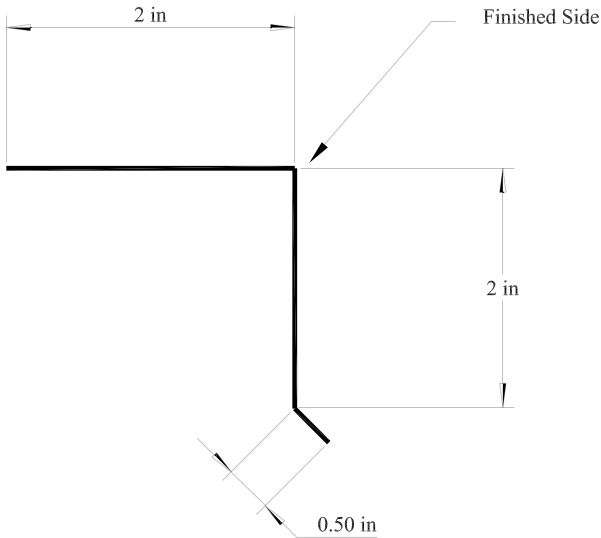
**9" x 9" RIDGE CAP**

\*Not to scale



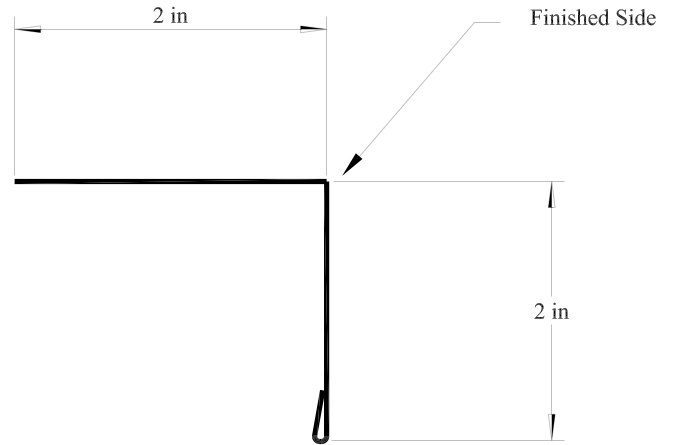
### DRIP TRIM (2 X 2 WITH KICK NO HEM)

\*Not to scale



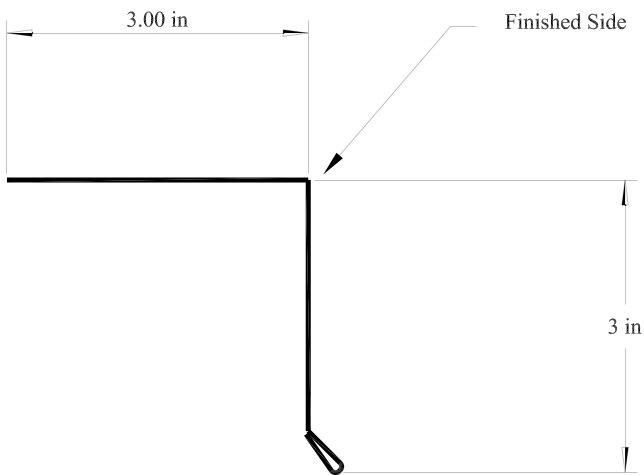
### 2 X 2 EAVE (DRIP) TRIM

\*Not to scale



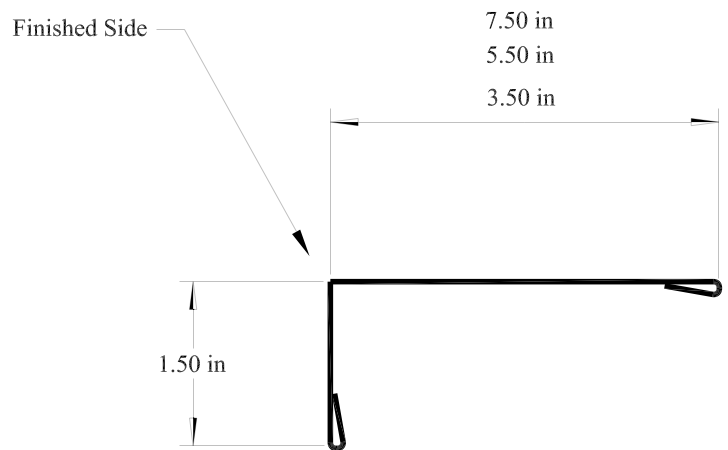
### 3 X 3 EAVE (DRIP) TRIM WITH KICKOUT

\*Not to scale



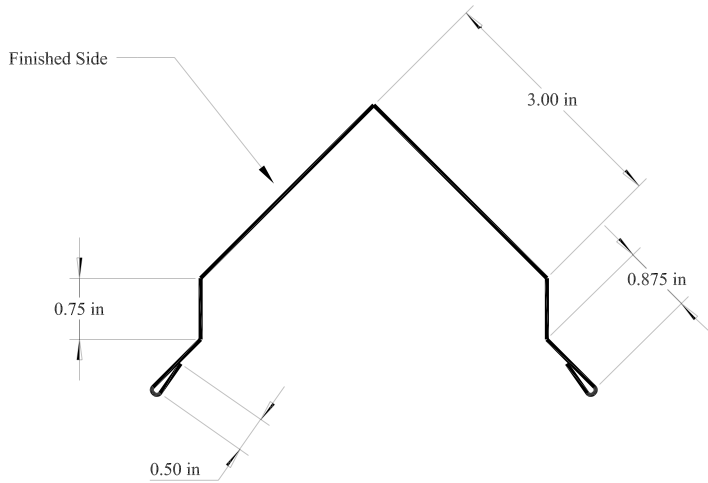
### POST TRIM (DRIP EDGE)

\*Not to scale



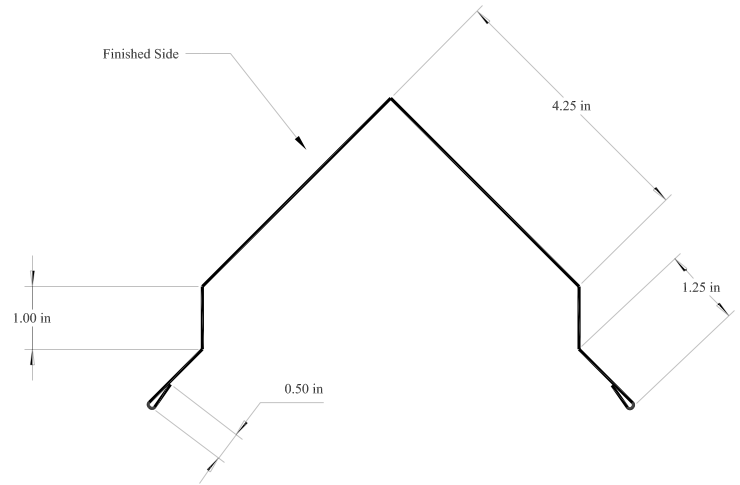
### SMALL CORNER

\*Not to scale



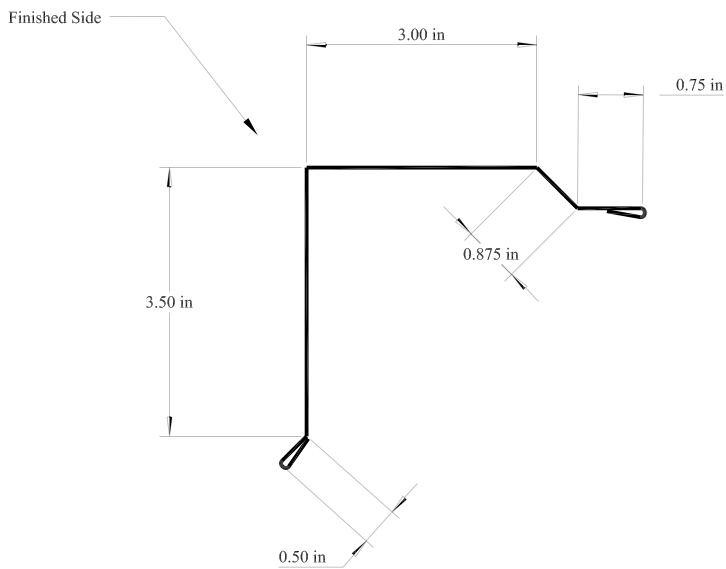
### LARGE CORNER

\*Not to scale



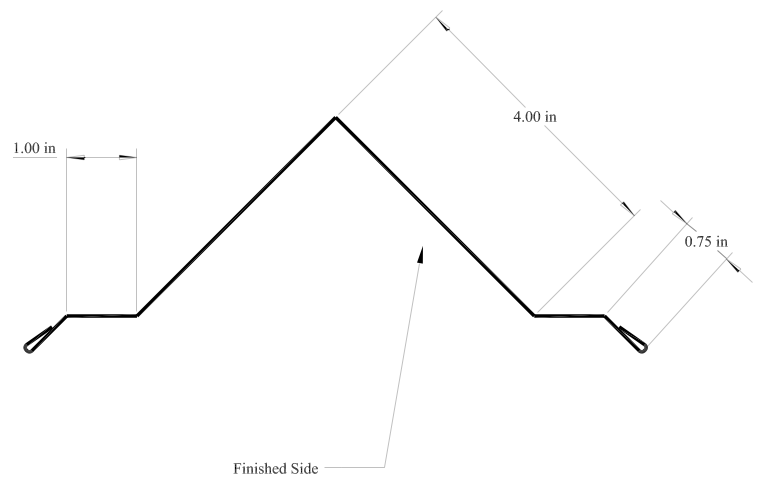
### DENVER RAKE AND CORNER TRIM

\*Not to scale



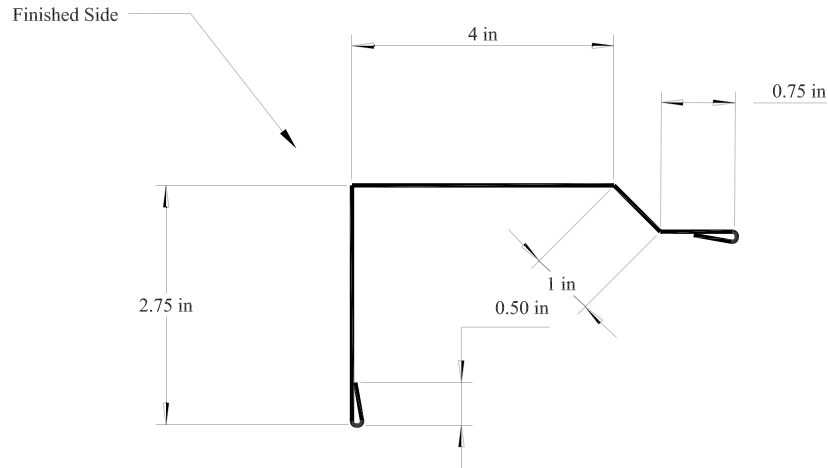
### INSIDE CORNER

\*Not to scale



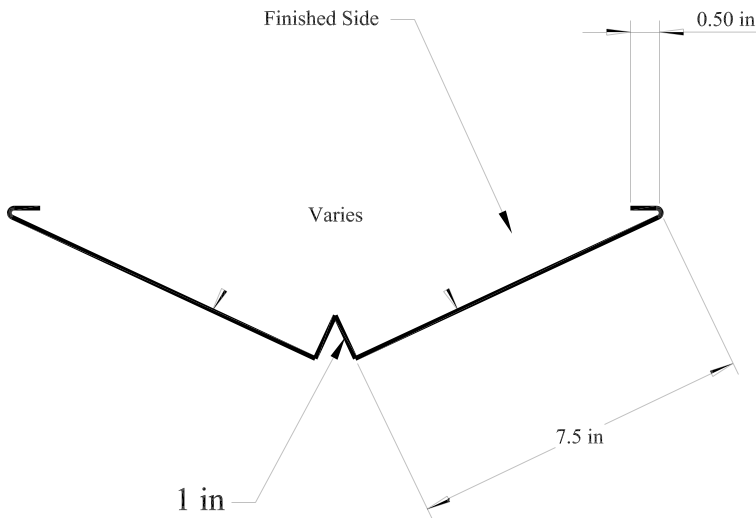
**SPECIAL RAKE TRIM**

\*Not to scale



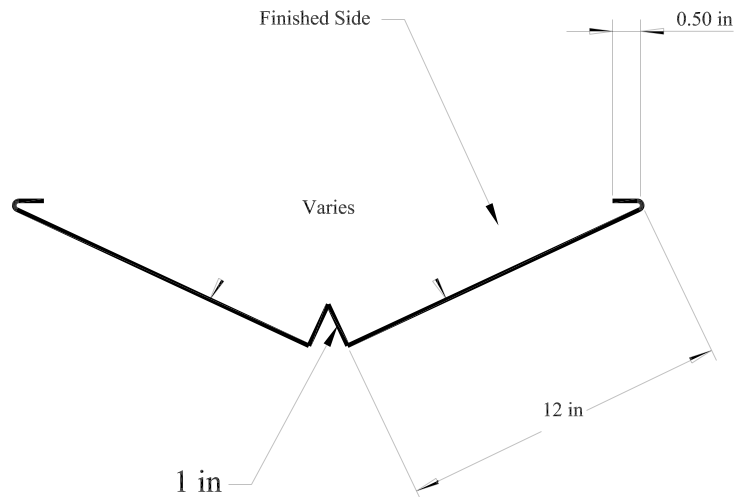
**W-VALLEY**

\*Not to scale



**LARGE W - VALLEY  
(12" IN FLATS)**

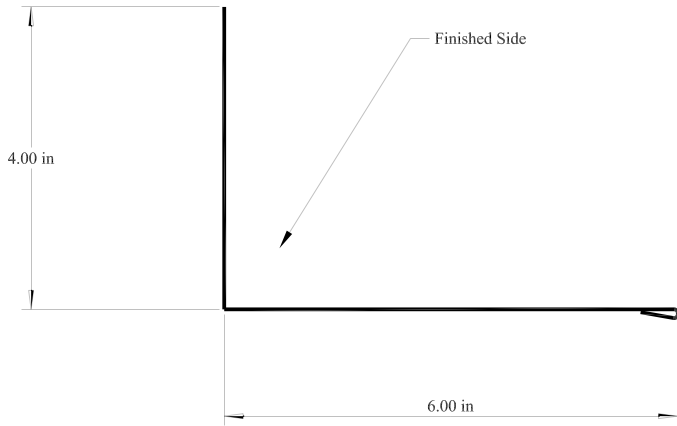
\*Not to scale





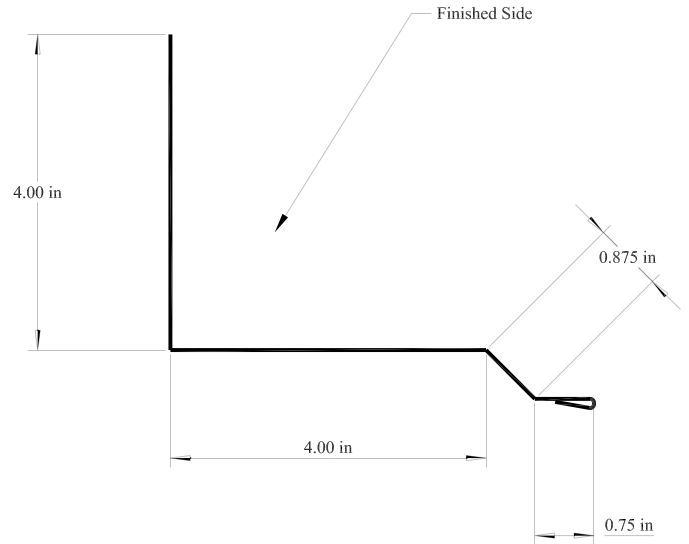
### 4 X 6 WALL FLASHING

\*Not to scale



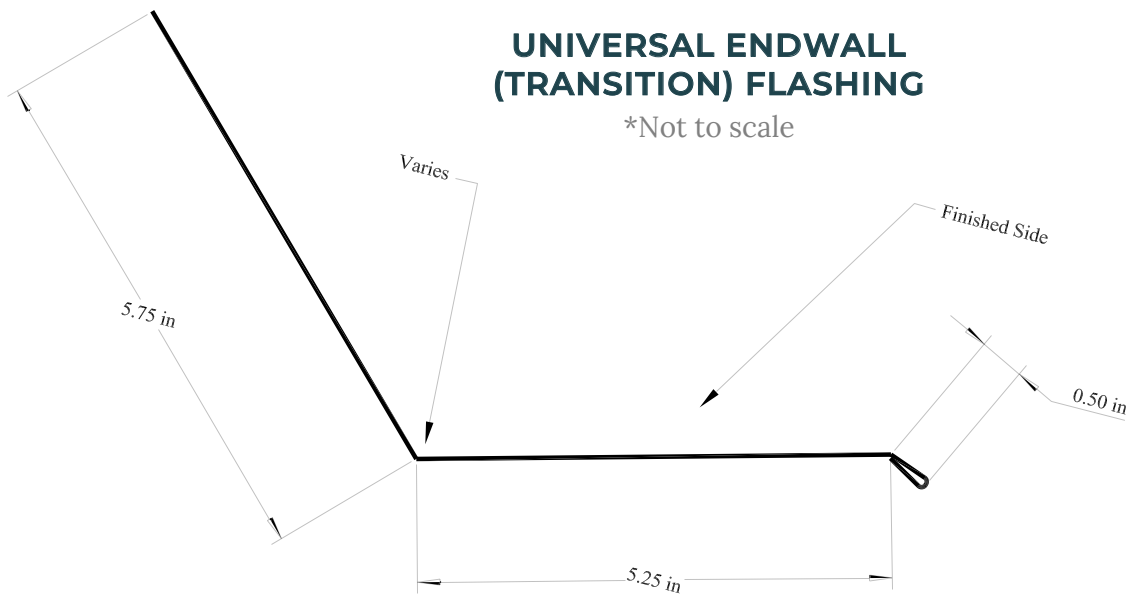
### SIDEWALL FLASHING

\*Not to scale



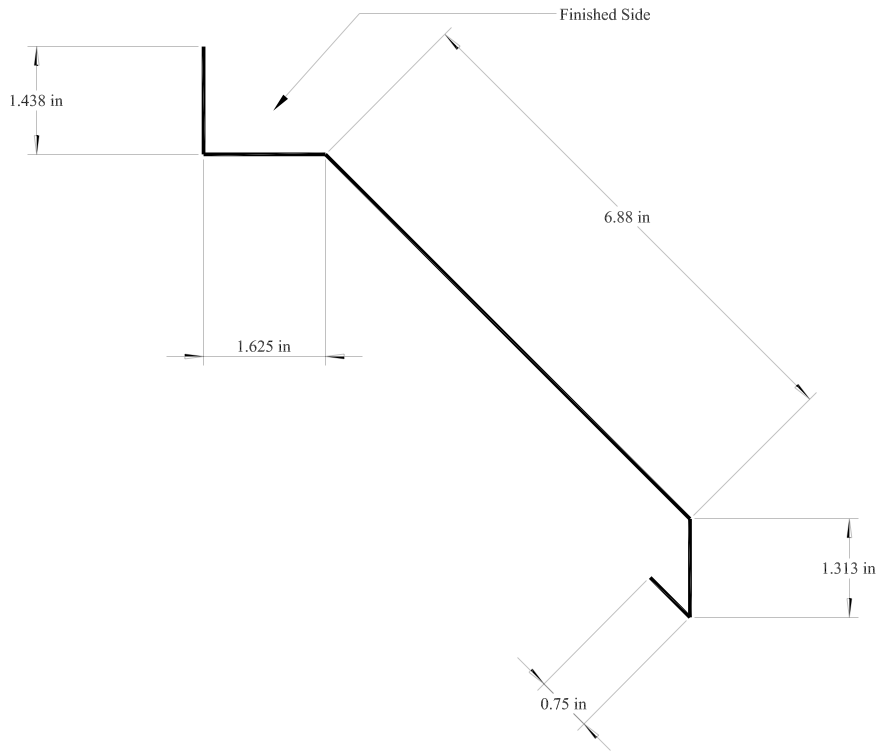
### UNIVERSAL ENDWALL (TRANSITION) FLASHING

\*Not to scale



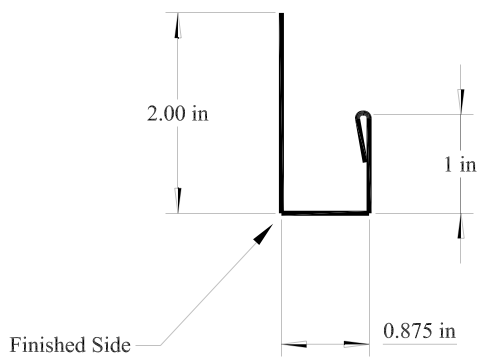
**CANNONBALL DOOR  
TRACK COVER**

\*Not to scale



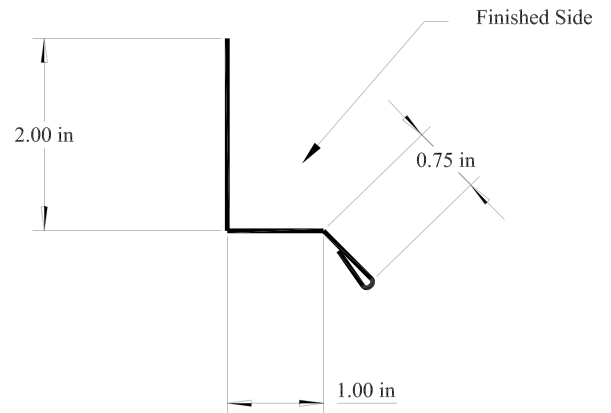
**J-TRIM**

\*Not to scale



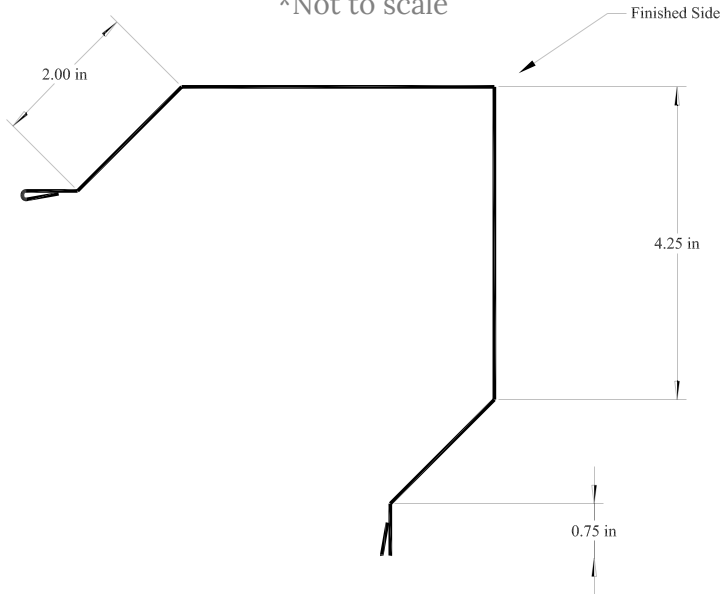
**DRIP CAP**

\*Not to scale



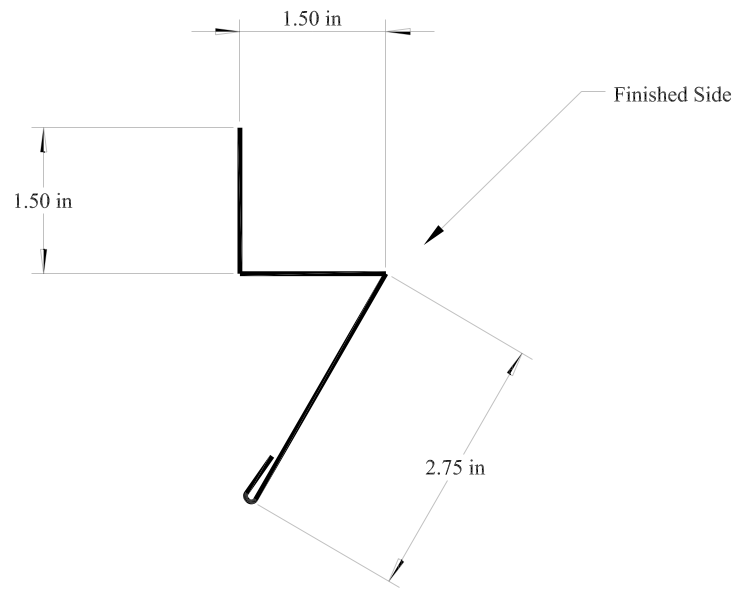
**R-PANEL CORNER**

\*Not to scale



**R-PANEL RAT GUARD**

\*Not to scale



**R-PANEL J TRIM**

\*Not to scale

